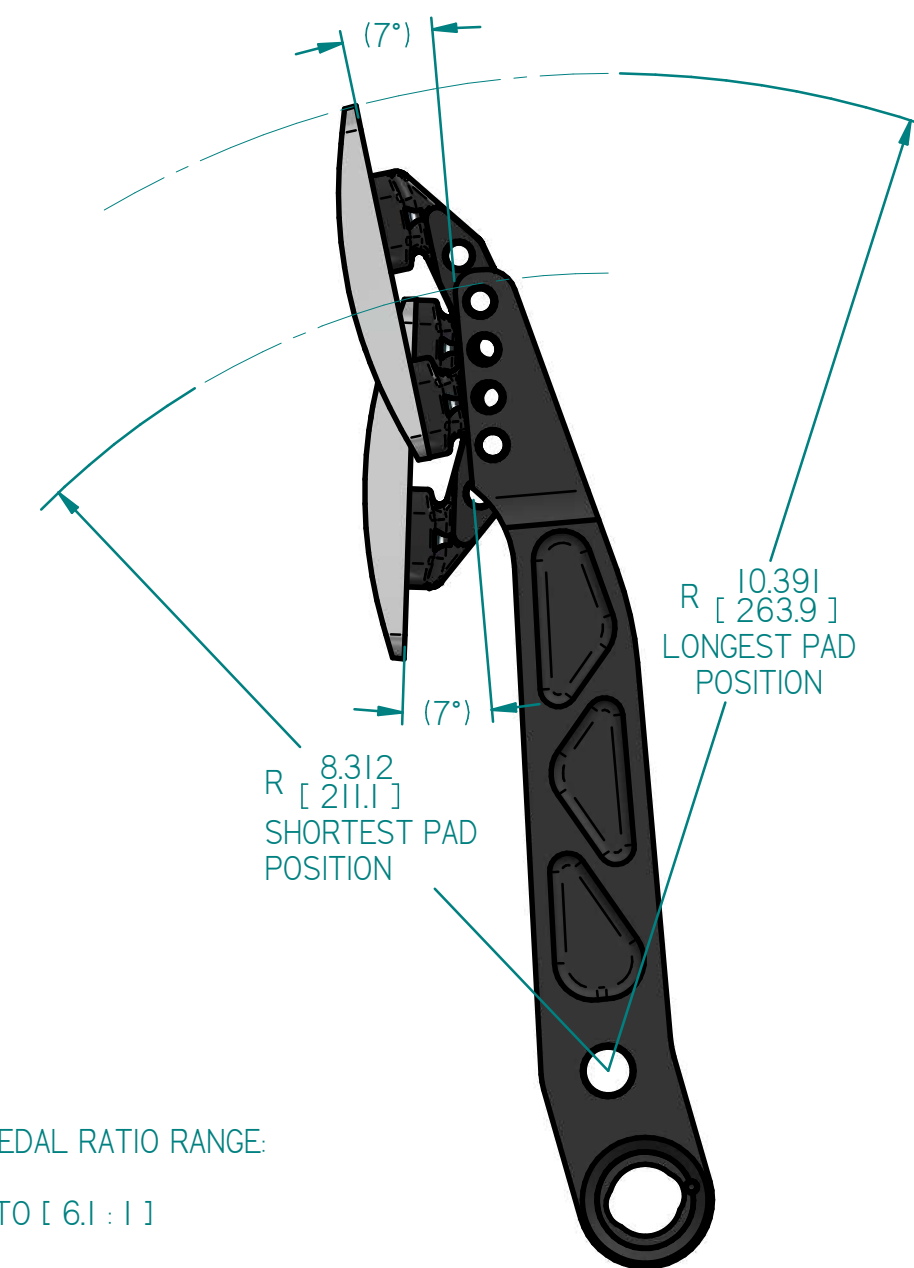
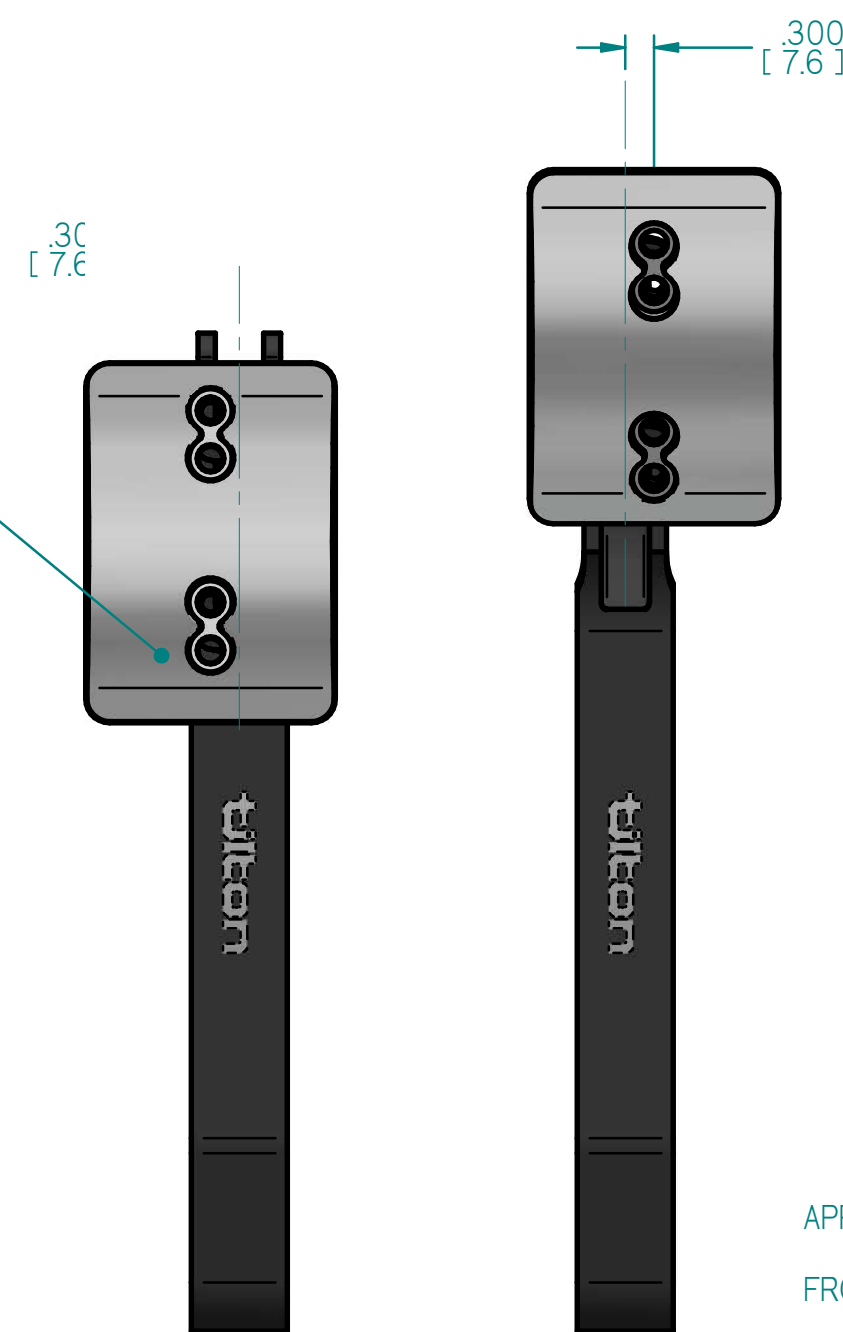
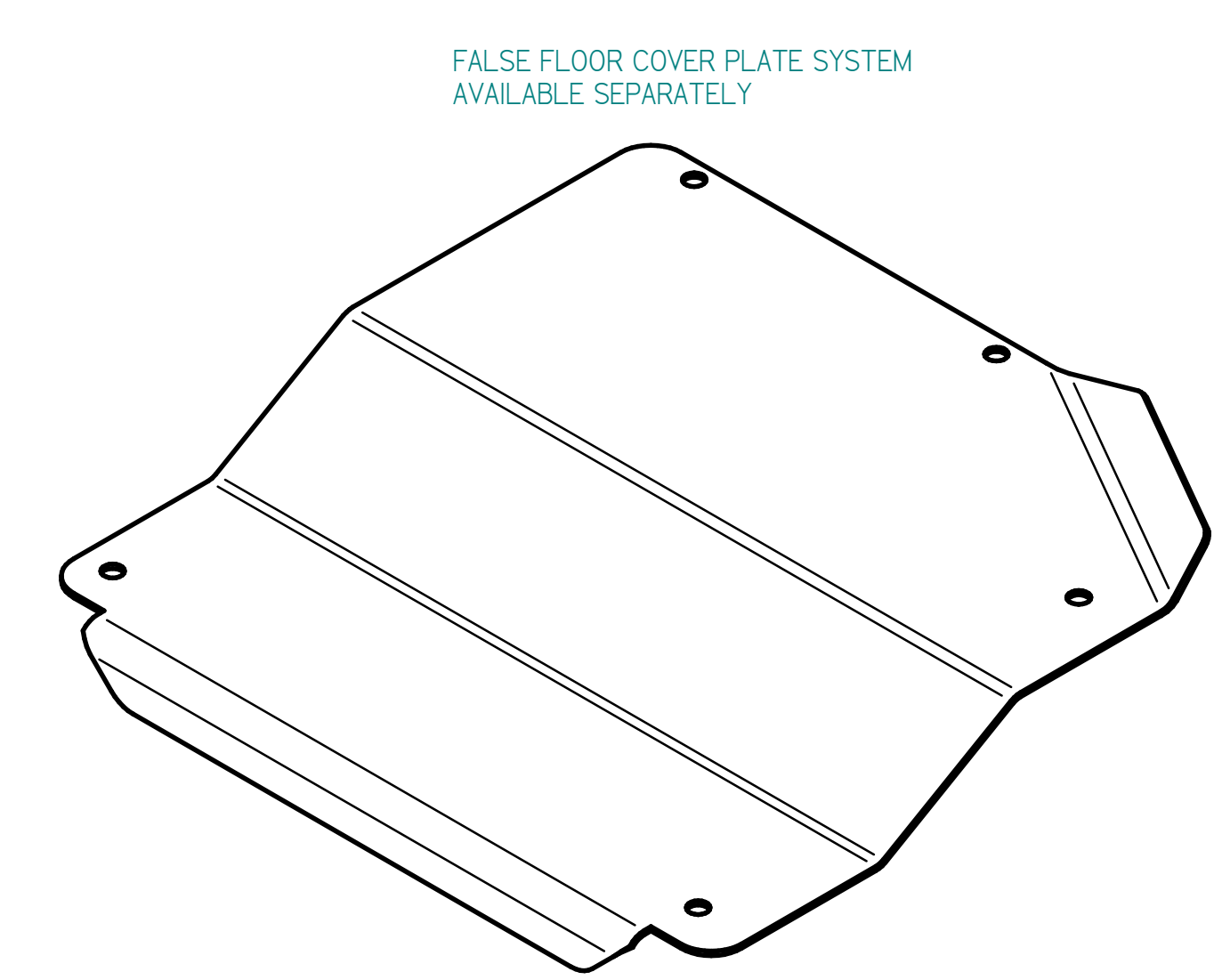


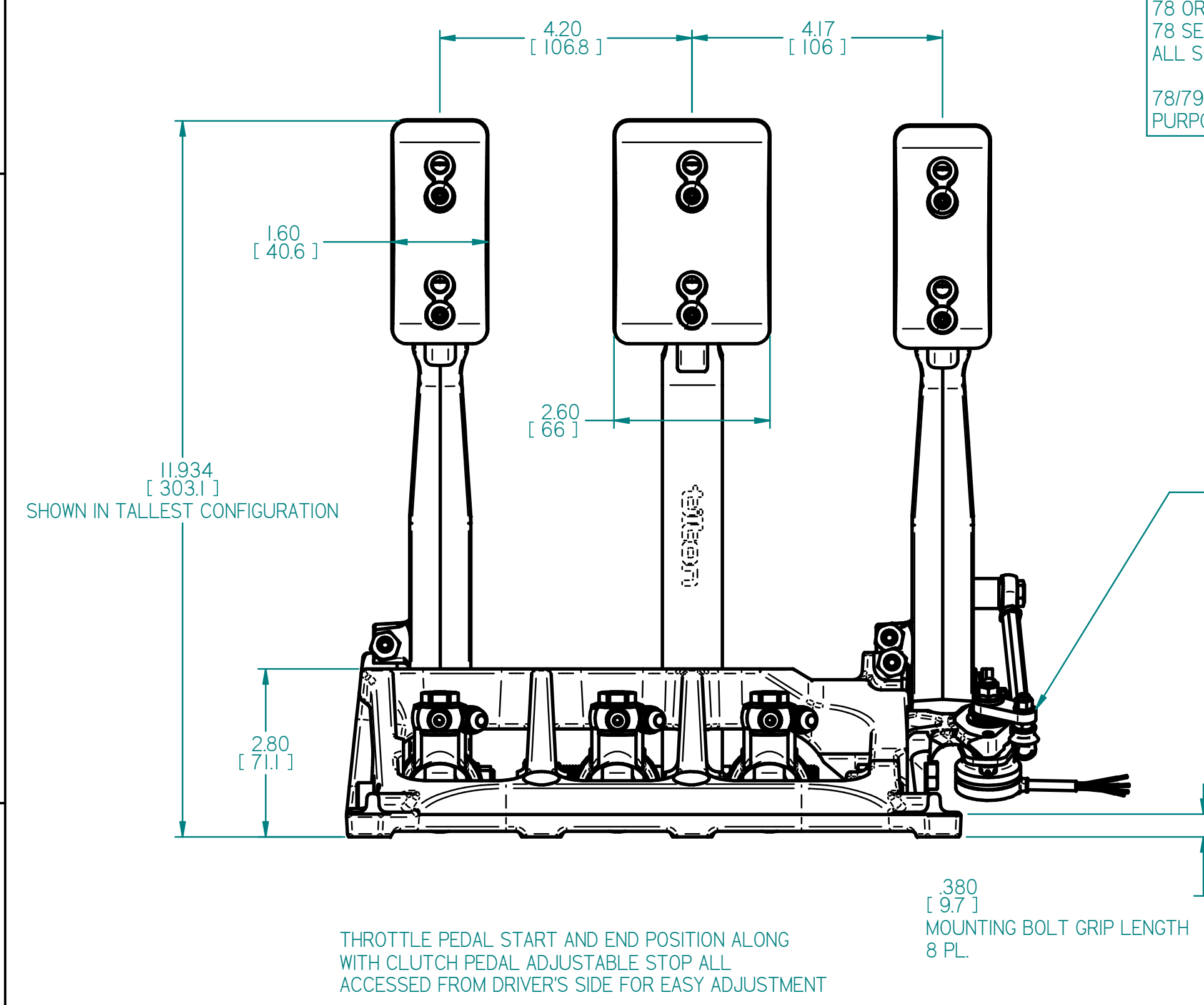
DIE-CUT ANTI-SLIP TAPE SUPPLIED WITH KIT BUT NOT INSTALLED, GIVING CHOICE OF SMOOTH OR ROUGH PAD SURFACES.



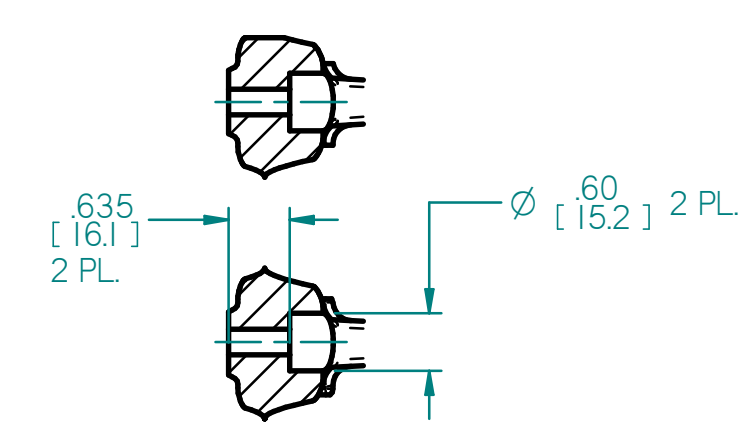
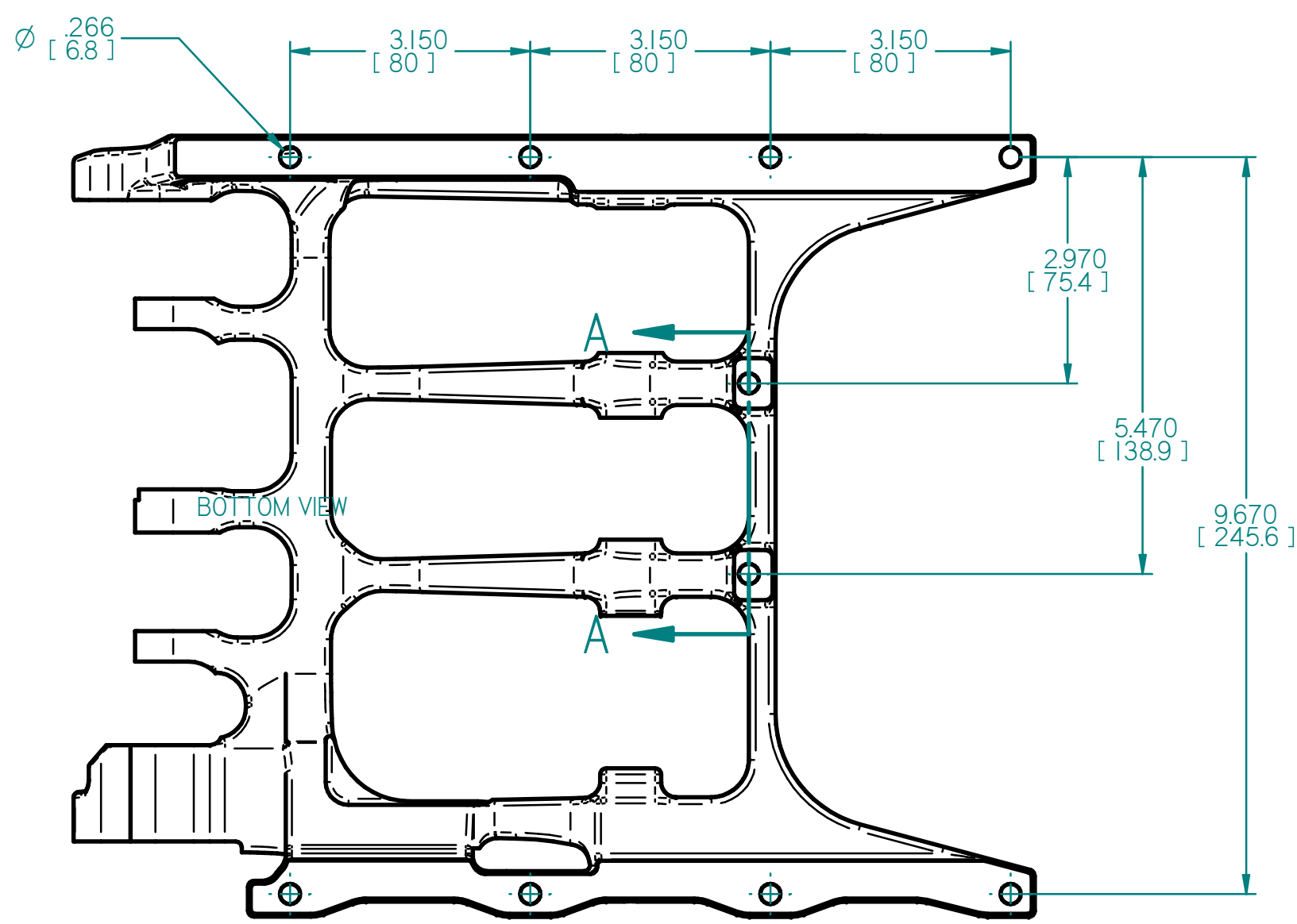
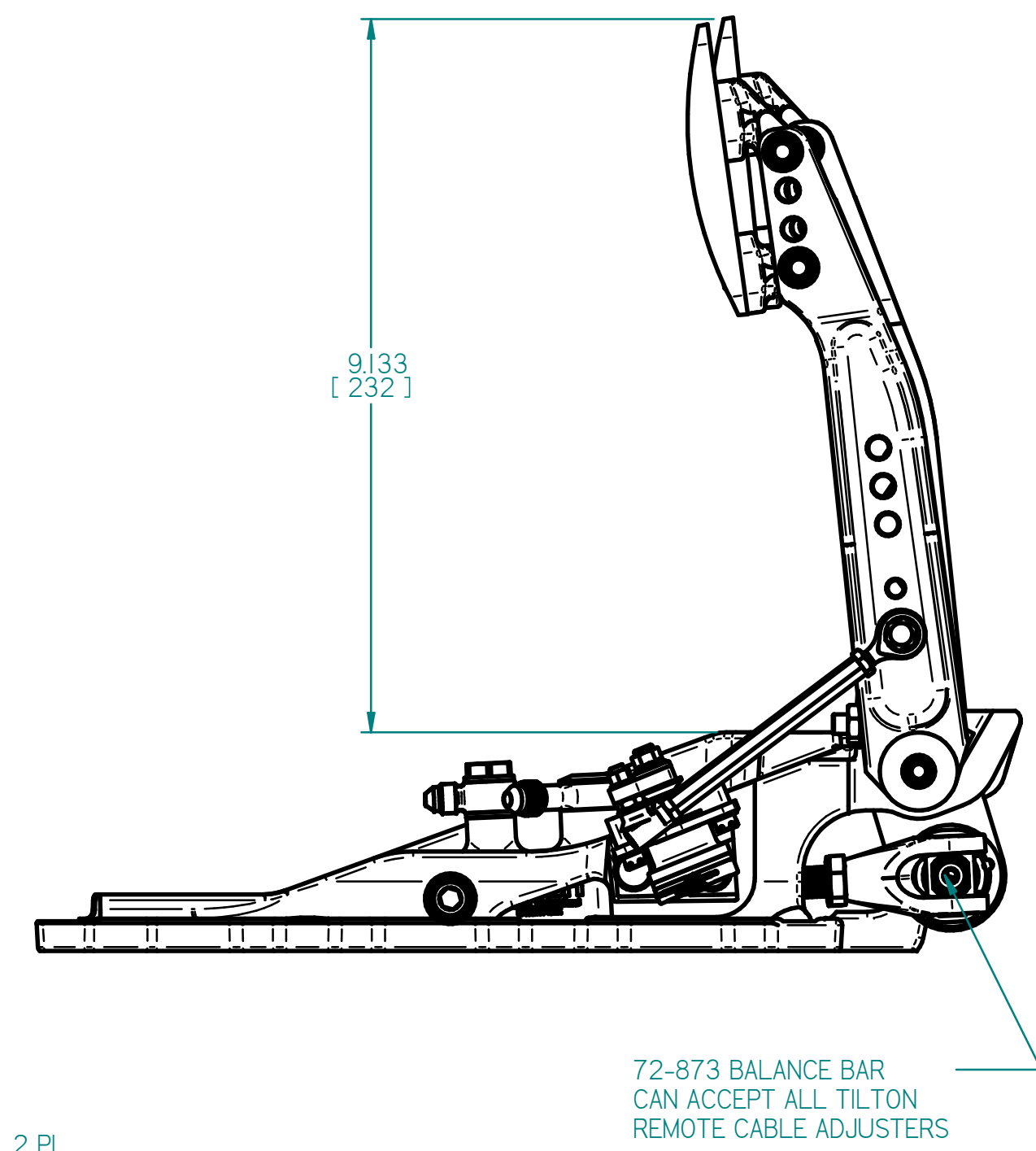
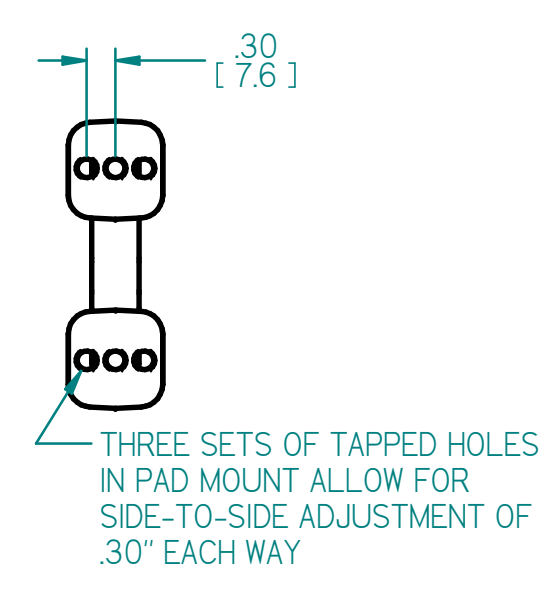
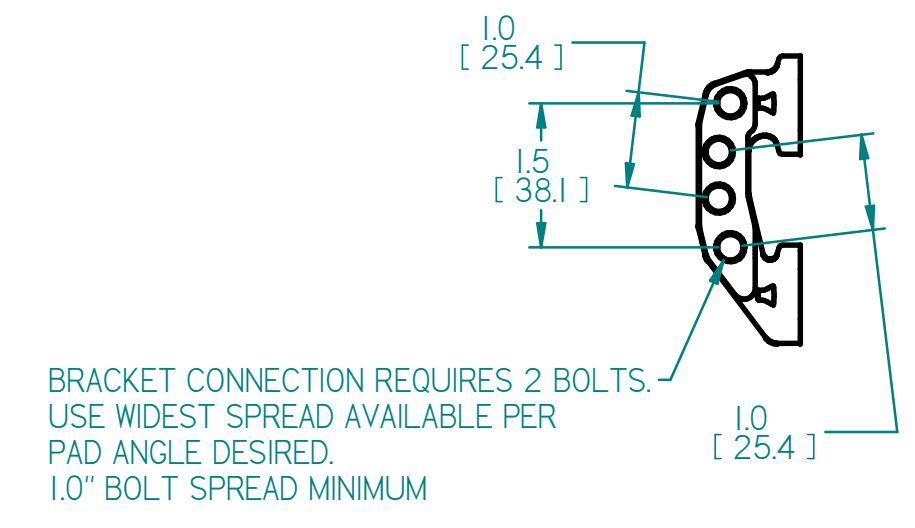
APPROXIMATE PEDAL RATIO RANGE FROM [4.8 : 1] TO [6.1 : 1] DEPENDING ON FOOT PAD POSITION



PEDAL ASSEMBLY IS COMPATIBLE WITH TILTON ENGINEERING 78 OR 79 SERIES MASTER CYLINDERS AT BOTH BRAKE PEDAL LOCATIONS 78 SERIES MASTER CYLINDERS AT CLUTCH PEDAL ALL SOLD SEPARATELY
78/79 SERIES MASTER CYLINDERS SHOWN HERE ARE FOR ILLUSTRATION PURPOSES ONLY AND ARE NOT INCLUDED WITH PEDAL ASSEMBLY



TILTON THROTTLE LINKAGE KITS FOR DRIVE BY WIRE OR MECHANICAL CABLE AVAILABLE SEPARATELY



- NOTES:
1. DIMENSIONS AND TOLERANCES PER ASME Y14.5 - 2009
 2. UNLESS OTHERWISE SPECIFIED, ALL DIMENSIONS ARE IN INCHES.
 3. BREAK SHARP EDGES .005-.010.

TILTON ENGINEERING, INC. 25 EASY STREET P.O. BOX 1787 BUELLTON, CALIFORNIA 93427 USA PHONE: (805) 688-2353 FAX: (805) 688-2745 WWW.TILTONRACING.COM		THIS DRAWING USES THIRD ANGLE PROJECTION	
TITLE: INSTALLATION DRAWING, ASSEMBLY, PEDALS UNDERFOOT, STATIONARY, THROTTLE, BRAKE, CLUTCH, PIVOT TYPE MASTERS			
DRN BY LUND	CHKD WAHL	SCALE 1 : 2	DWG 6941
P/N 72-856	DATE 9/28/2018	SHEET 1 OF 1	REV NC

"This document contains proprietary information of TILTON ENGINEERING, INC., and its receipt or possession does not convey the rights to reproduce, disclose its contents, or to manufacture, use or sell anything it may describe. Reproduction, disclosure, or use without specific written authorization of TILTON ENGINEERING, INC. is strictly forbidden."

TILTON ENGINEERING INC.